

# Village Square Series

WALKWAY LIGHTING

LM79  
LM80

IP64



## PROJECT INFORMATION

Project Name \_\_\_\_\_

Catalog No. \_\_\_\_\_ Date \_\_\_\_\_

## DESCRIPTION

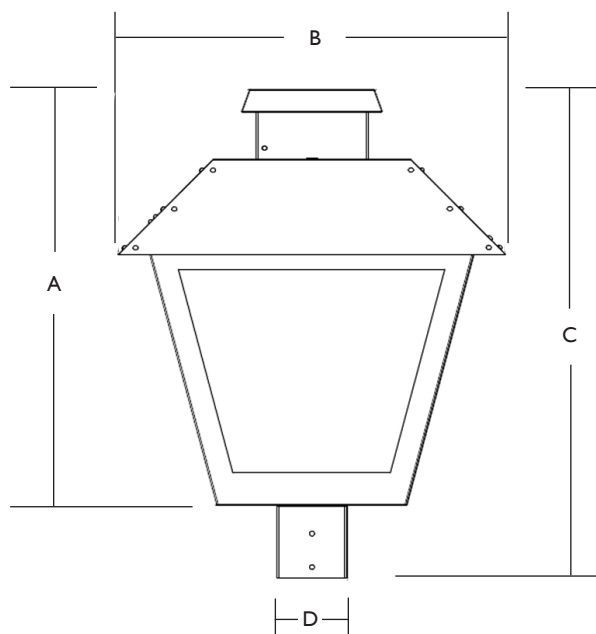
The ActiveLED® Village Square Series is an innovative self-contained fixture with a nostalgic feel. Designed to replace existing inefficient, legacy post-top fixtures with high-wattage lamp assemblies, it is ideal for residential walkways, pathways, malls and shopping centers. A Dark Sky compliant fixture delivering the maximum possible light to the surrounding public space, while eliminating light pollution to adjacent properties.

Applications include: Malls, Shopping Centers, Walkways, Trails, Driveways, Village Squares and Residential Pathways.



Village Square Series

## DIMENSIONS



## FEATURES

- ThermalDRAW™ Cooling Technology - Patented cooling technology ensures LED components will equal or exceed warranty.
- Warranty - 10 Year Warranty on LED elements, fixture housing, and LED Driver. See page 2 for additional warranty information.
- Dusk/Dawn Sensor - Optional photocell allows fixture to automatically turn on or off based on daylight detection.

A	B	C	D
18.6"	17.3"	21.8"	3.1"
47.24cm	43.94cm	55.37cm	7.87cm

LIGHT OUTPUT

**1924** lm

WATTS

**25.5** W

LUMENS per WATT

**75.5** lm/W

LIGHT COLOR (CCT)

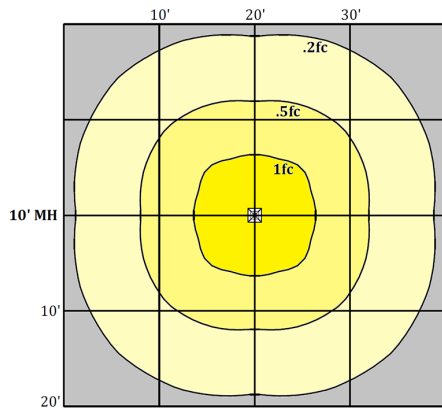
**4,740** K

**ActiveLED®**  
Energy Efficient Lighting and Controls



NOTE: Lighting Facts shown for Village Square Series, 24W only.  
For more Lighting Facts, visit [lightingfacts.com](http://lightingfacts.com) for the Label and Label Reference Guide.

## PHOTOMETRICS



## PERFORMANCE DATA

AMBIENT TEMPERATURES	0 HOURS	45,000 HOURS	90,000 HOURS
77°F (25°C)	1.00	0.99	0.99
104°F (40°C)	1.00	0.98	0.96
131°F (55°C)	1.00	0.96	0.92
140°F (60°C)	1.00	0.95	0.90

Projected Lumen Maintenance (TM-21)

NOTE: Calculated using data collected according to LM-80 lumen maintenance on the LED package.

NOTE: Photometrics shown for Village Square Series, 24W only. Contact company for photometrics on other sizes.

## GENERAL SPECIFICATIONS

Input Voltage	Voltage Specific, 100-277 Volts AC, 50/60Hz	LED Optics	IP64 rated, precision extruded aluminum reflector/heat sink, thermally bonded LEDs.
Input Power	26 Input Watts 24 LED Watts		Patented thermal management mounting system
Power Factor	> 0.98 (at ~120 Volts)	CCT	2700K, 3000K, 3500K, 4000K, or 5000K
THD	Total Harmonic Distortion (THD) <10%	Housing	Electroplated galvanized steel for enclosure, .250 thick sheet aluminum for heat sink, stainless steel hardware
Driver	Integral driver with aluminum housing, integral heatsink	Finish	Powder coated after fabrication
Operating Temperature	-58° F to 149° F (-50° C to 65° C)	Dimensions	18.6" fixture height plus 3.2" mounting, 17.3" square at top (47.2 + 8.3 x 44.0 cm)
Lumen Lifetime	L90/90K Hrs @ 60° C (90,000 Hrs with 90% Luminous Flux)	Weight	20 pounds (9.7 kg)

## WARRANTY

Ten (10) Year Warranty - LEDs, Fixture, and Driver shall conform to its published specifications under normal usage and operating conditions including "no light loss" of more than 10% at the end of the period. LEDs will produce at least 90% of their initial light output with no color shift after 90,000 hours of operation.

## LISTINGS AND TESTS

CE, suitable for wet locations. B1-U3-G2, RoHS compliant. IP64 Rated optical assembly. LM-79 and LM-80 info available. Conforms to FCC Part 15.19 Subpart B Class A. Made in USA - ARRA Compliant.

## FIXTURE ORDERING INFORMATION

Example: VS5I-3-B40R24BK-D

VS5		3	B		R24		D
Style	Voltage	Mount	Diffuser	CCT	Watts	Color	Options
<b>VS5</b> Village Square Type V light pattern	<b>U</b> - 100...277V AC, Single Voltage 60 Hz <b>N</b> - None <sup>1</sup> <b>E</b> - 45/48 VDC Driver <sup>2</sup>	<b>3"</b> Post-Top Mount	<b>B</b> Translucent Diffuser	<b>50</b> 5,000K <b>40</b> 4,000K <b>35</b> 3,500K <b>30</b> 3,000K <b>27</b> 2,700K	<b>R24</b> 24W LED, 26W Max (1924 Lumens) Lumens at 5,000K	<b>SL</b> - Silver <b>BK</b> - Black <b>BR</b> - Brown <b>BZ</b> - Bronze <b>CG</b> - Charcoal <b>CV</b> - Copper Vein <b>WH</b> - White <b>X</b> - Custom	<b>D</b> Dusk to Dawn Sensor

<sup>1</sup> Requires remote driver. Consult factory.

<sup>2</sup> No AC Support.